

# Dino Club

9 - 8 -7ft



ISO 9001

**Bilijardai** *Professional biliards tables*

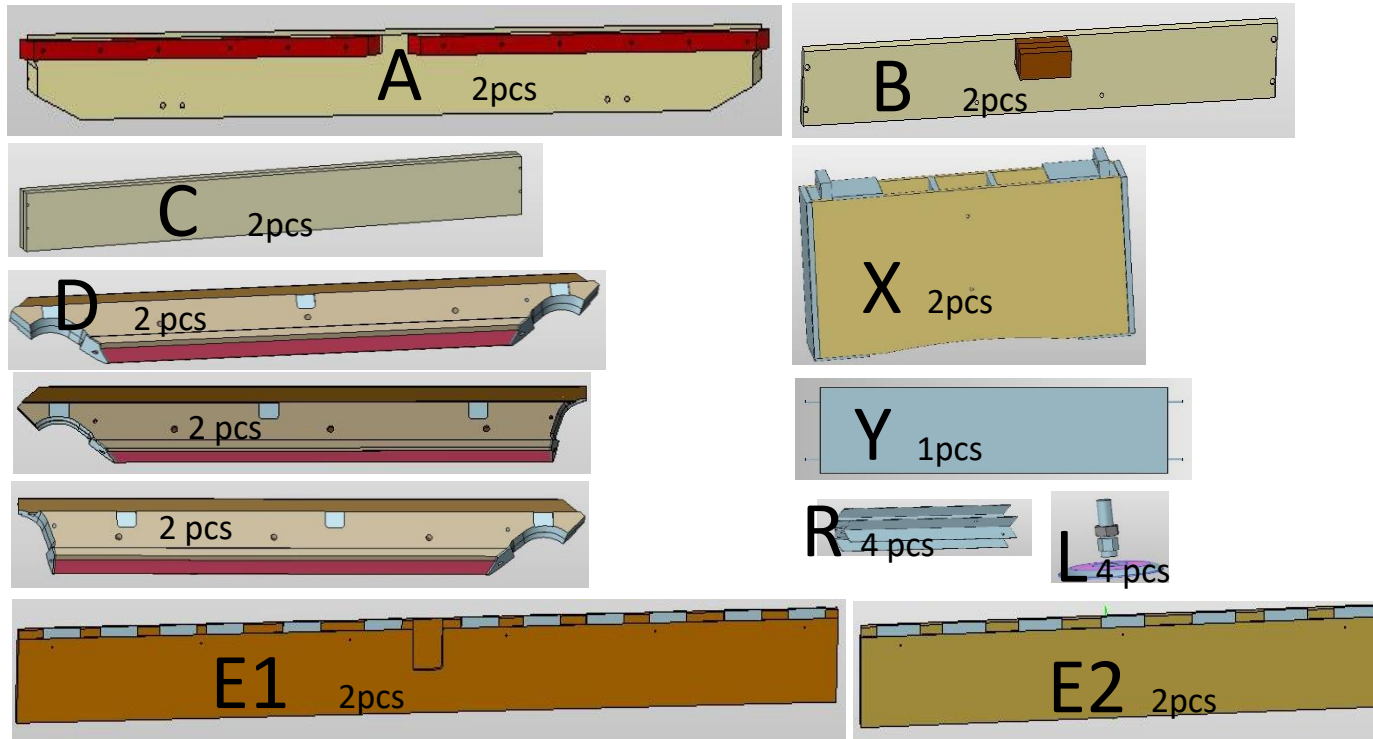
UAB "Bilijardai", Davalgonių g. 3, Ramučių km., LT-54464 Kauno raj., Lithuania

Tel. +370 37 432 234, fax +370 37 432 685

[www.bilijardai.lt](http://www.bilijardai.lt), e-mail: [bilijardai@bilijardai.lt](mailto:bilijardai@bilijardai.lt)



# Set



F2	d10.5/D30		12pcs
F3	M10		12pcs
F4	7.5x112		8pcs
F5	d10.5/D20		8pcs
F6	4x65		8pcs
F7	M10x110		4pcs
F8	28x38x21		18pcs
F9	4x35		18pcs
F10	3.5x16		26pcs

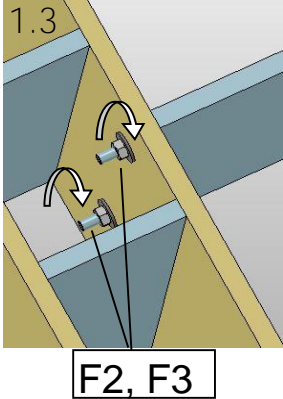
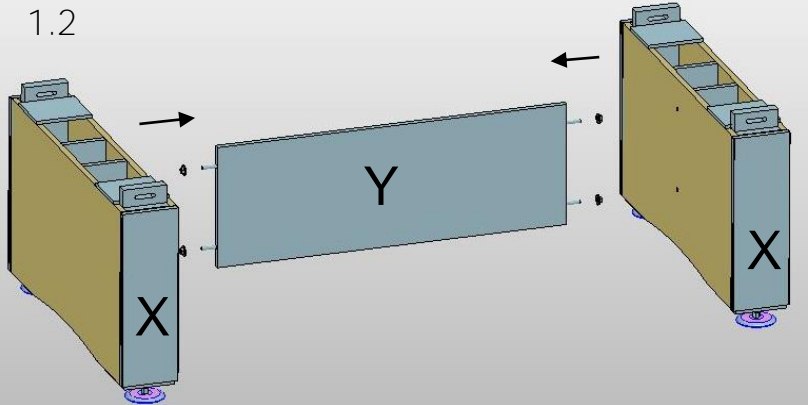
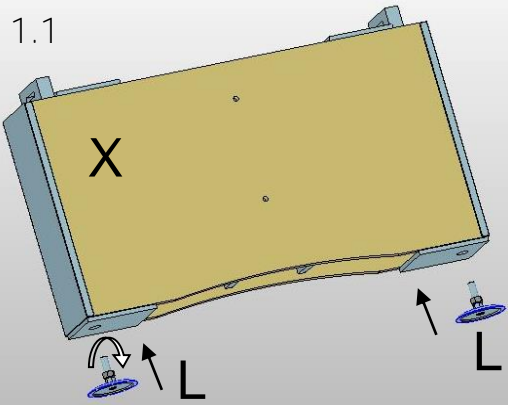
P1	4 pcs		
P2	2 pcs		
P3	M6x70		
P4	d10.5/D30		
P5	d6.3/D18		16 pcs
P6	d6		
P7	M6		
P8		6 pcs	
P9		24 pcs	

F11	d10.5/D30		
F12	d10		24pcs 9-8ft
F13	M10		18pcs 9-8ft
F14	M10x90		

Set of playing area see addition A

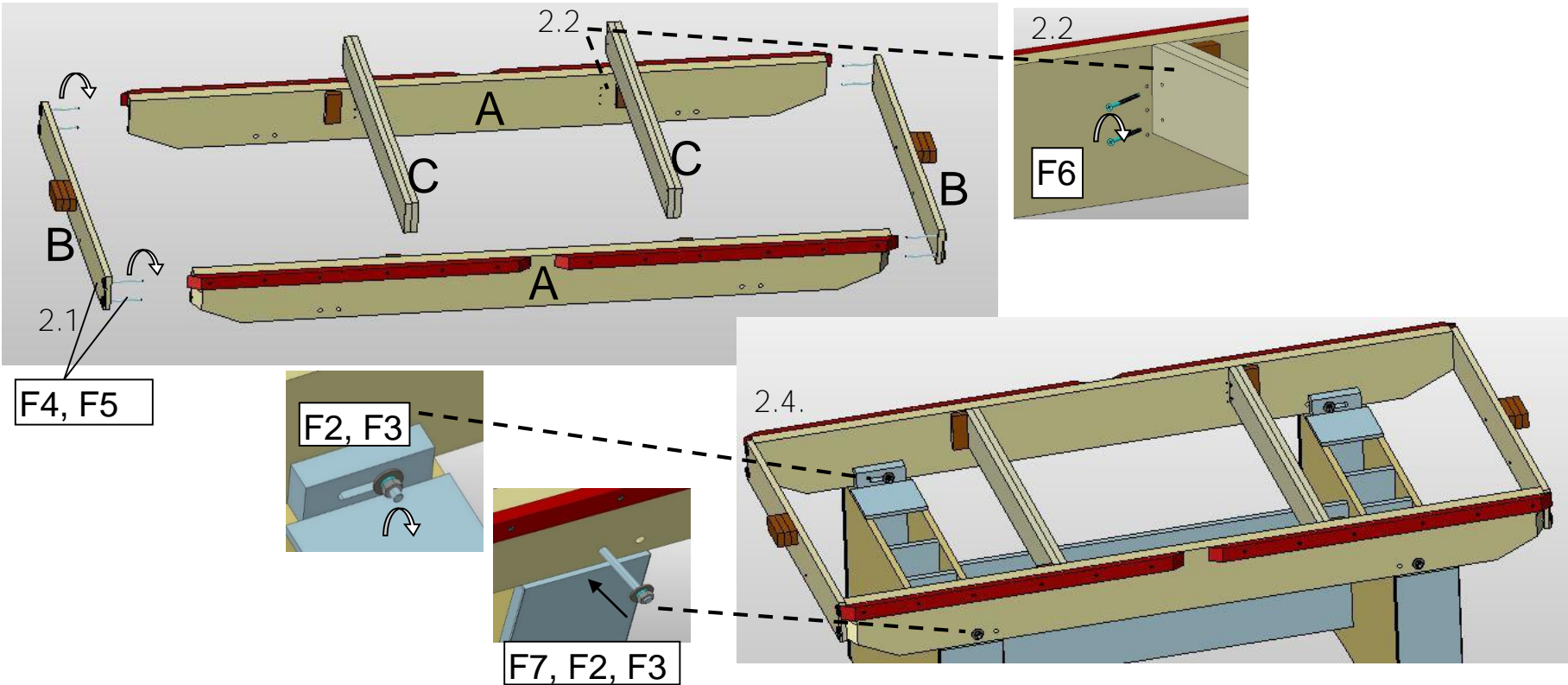
# 1. Leg fixing

1.1 Screw leg levelers (L) fully. If floor surface is uneven and part of leg leveler don't stand on floor as result of it. Please to insert veneer or other thick and hard material. All perimeter of leg leveler must tight stand on floor.



## 2. Frame assembling / сборка рамы

- 2.1. Fix the back parts of the frame.
- 2.2. Fix the middle parts of the frame.
- 2.3. Put the frame on the legs. Frame and legs screw like shown in picture 2.4.



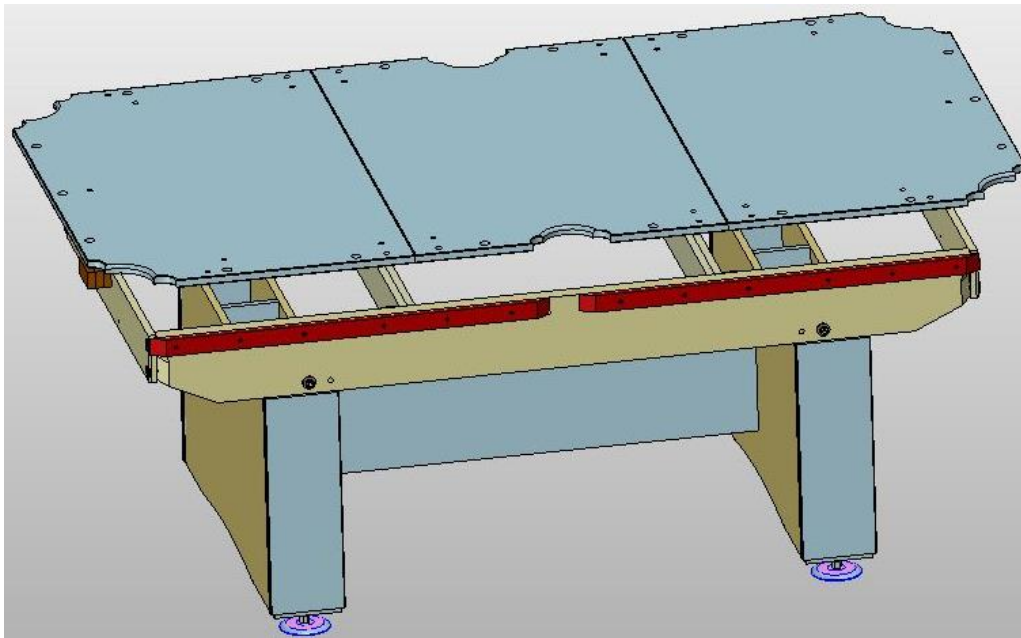
### 3. Frame levelling / С помощью уровня надо выровнять раму.

3.1. Find highest frame angle.

3.2. Level frame horizontally with other 3 levellers. Don't use leg in highest frame angle!

3.3. Please, note, that less screwed leveller causes better stability for table!

**4. Put on the slate** (slate must be equally overhanged outside from frame in all perimeter) and again adjust the horizontality like in article.

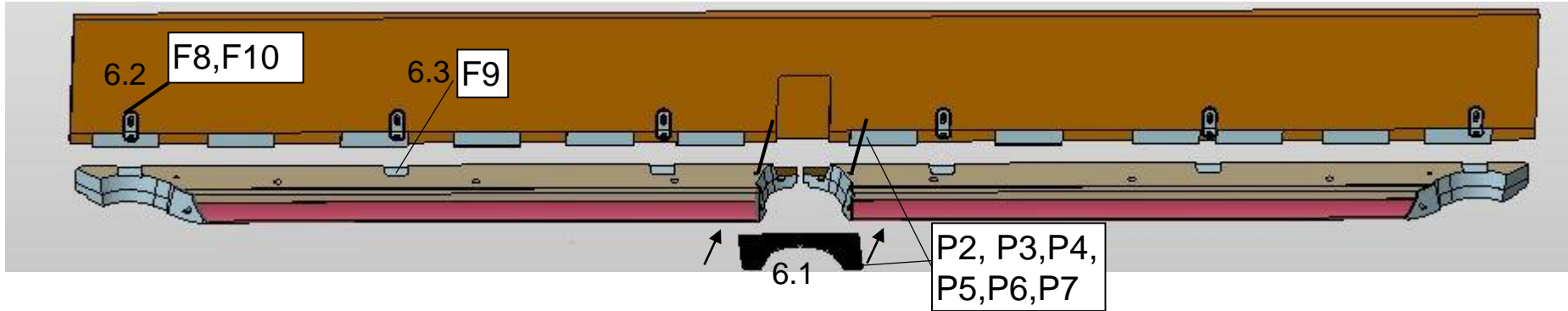


**5. See slate equability regulation and covering of cloth on plaing area in **addition A**.**

6. Pockets and vertical parts assembling.

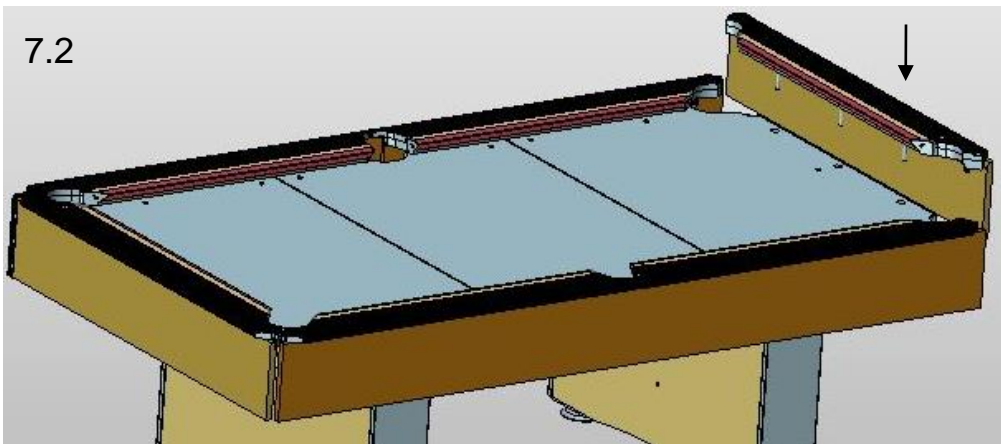
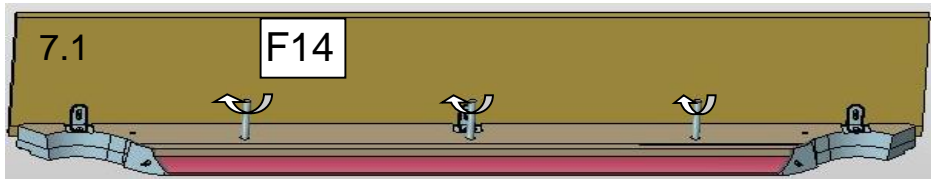
6.1. Screw steel pockets to middle cushions.

6.2. Fix the vertical parts with metal corners and screws.

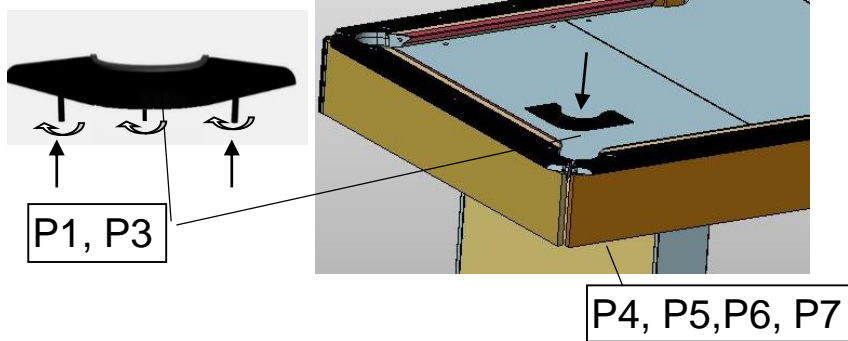


7. 1. Screw the pin gently.

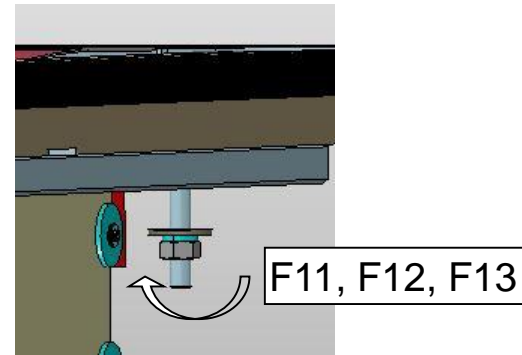
7.2 Insert screw pins into slate holes.



7.3 Screw steel pockets to cushions.



7.4 Screw the nuts gently.



8. Insert drop rubber pockets from bottom side and nail them to cushions.



9. Even distance in angles between vertical parts and fix it with R aluminium profile and screws.

